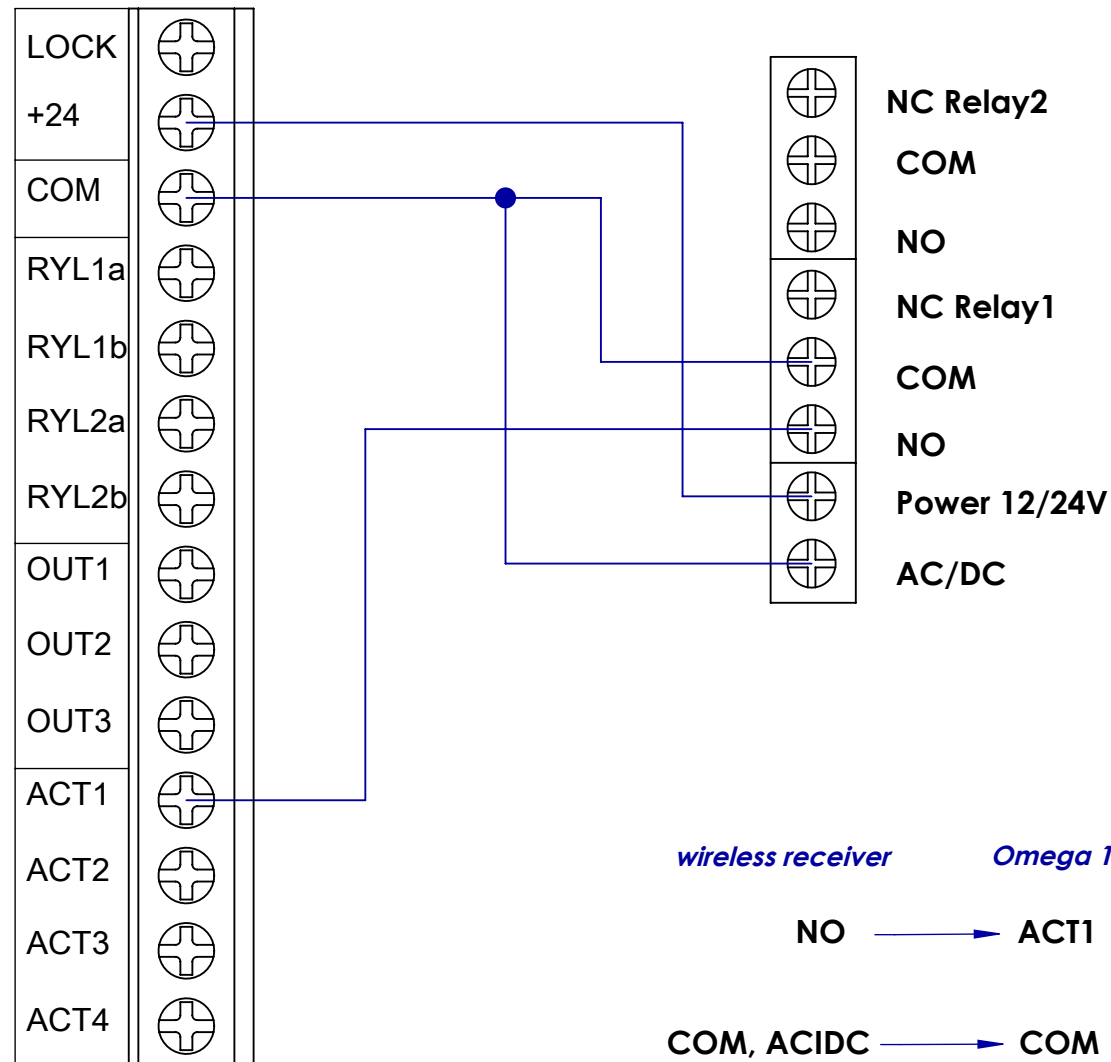


Omega 1100 Board

*Camden RX-91&RX-92
wireless receiver*



wireless receiver *Omega 1100 Board*

NO **→** **ACT1**

COM, ACIDC **→** **COM**

**Power
12/24V** **→** **+24**



OMEGA 1100 board wireless receiver	<i>title</i>	<i>date</i> FEB. 2019	<i>file</i>
------------------------------------	--------------	--------------------------	-------------